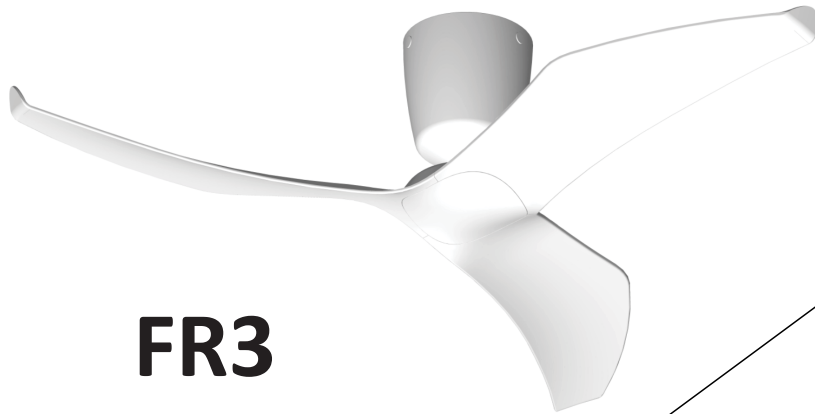


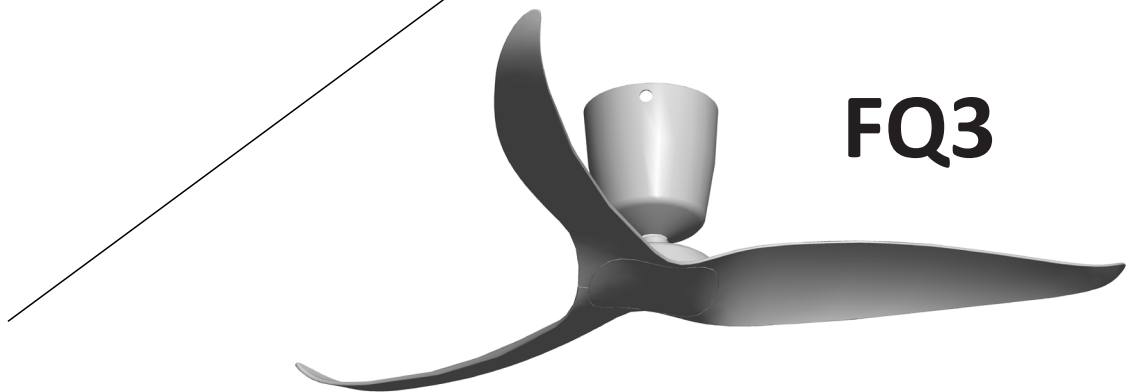
INSTRUCTION MANUAL
FR3 & FQ3

AERATRON

USER MANUAL & INSTALLATION GUIDE For Metal Hanger Bracket with Safety Cord



FR3



FQ3

FR3 & FQ3 CEILING FAN

Available in: 43"/1070mm 50"/1270mm 60"/1524mm - FR3 model only
LED light kit and ceiling extension kit are optional for all Aeratron™ models

Check Fan Suspension system regularly, at least once every two years.

ATTENTION ELECTRICIANS

An isolation switch per fan is highly recommended.

WARNING: If unusual oscillating movement is observed, immediately stop using the ceiling fan and contact the national distributor/retailer.

Important information - Please read before attempting installation



This fan must be installed by a licensed and qualified electrician according to local authority regulations.

1. Please read these instructions carefully, be mindful of all warnings and safety information shown throughout this manual. Should you have any questions please call your local agent.
2. Please review the accompanying assembly diagrams before attempting installation.
3. This fan **MUST** be installed by a licensed & qualified electrician according to local authority regulations and in accordance with current wiring rules of the country/state.
4. A copy of the purchasing receipt and proof of installation by a licensed and qualified electrician according to local authority regulations is required for all warranty claims.
5. Where special access equipment is required to service the fan in accordance with local authority regulations all associated costs are the responsibility of the owner.
6. Should a warranty claim be required, we reserve the right to charge a service fee for all call outs where the fan is found not to be defective and / or where access is not provided.
7. To enable future programming, maintenance, cleaning and troubleshooting an isolation switch per fan is highly recommended. Without an isolation switch per fan, an electrician maybe required to assist with programming, maintenance, cleaning and troubleshooting. All associated costs are the responsibility of the owner.
8. A Maximum of 8 fans on each RCD / circuit is recommended. The fans are a Class 5 Device with leakage to Earth.
9. Your warranty will be void if a solid state dimmer or any other brand of wall controller is used.
10. The means for mains power disconnection must be incorporated in the fixed wiring in accordance with national wiring rules.
11. To avoid possible electric shock during installation, be sure electricity is turned off at the main power box before commencing work. Disconnect power by removing fuse or turning off circuit breaker before installing the fan. Ensure all spliced connections are adequately insulated.
12. Warning! Do not allow the rotating fan blades to come into contact with any object, this can cause serious injury or death.
13. Damage caused by incorrect installation, Force-majeure, lightning, electrical surges & spikes, exposure to water, pests or moisture is not covered under warranty.
14. This appliance is not intended for use by persons (including children) with reduced physical, sensory or mental capabilities, or lack of experience and knowledge, unless they have been given supervision or instruction concerning use of the appliance by a person responsible for their safety.
15. Suspension System
 - the replacement of parts of the safety suspension system device shall be performed by the manufacturer, its service agent, or suitably qualified persons.
 - fixing means for attachment to the ceiling such as hooks, or other devices shall be fixed with a sufficient strength to withstand 4 times the weight of the ceiling fan.
 - the mounting of the suspension system shall be performed by the manufacturer, its service agent, or suitably qualified persons
 - the model or type reference of a luminaire that may be installed in a fan must be constructed for this purpose

Australia, New Zealand: In accordance with AS/NZS60355-1 & AS/NZS60355-2-80: "This appliance is not intended for use by persons (including children) with reduced physical, sensory or mental capabilities, or lack of experience and knowledge, unless they have been given supervision or instruction concerning use of the appliance by a person responsible for their safety. Children should be supervised to ensure that they do not play with the appliance."

Contents

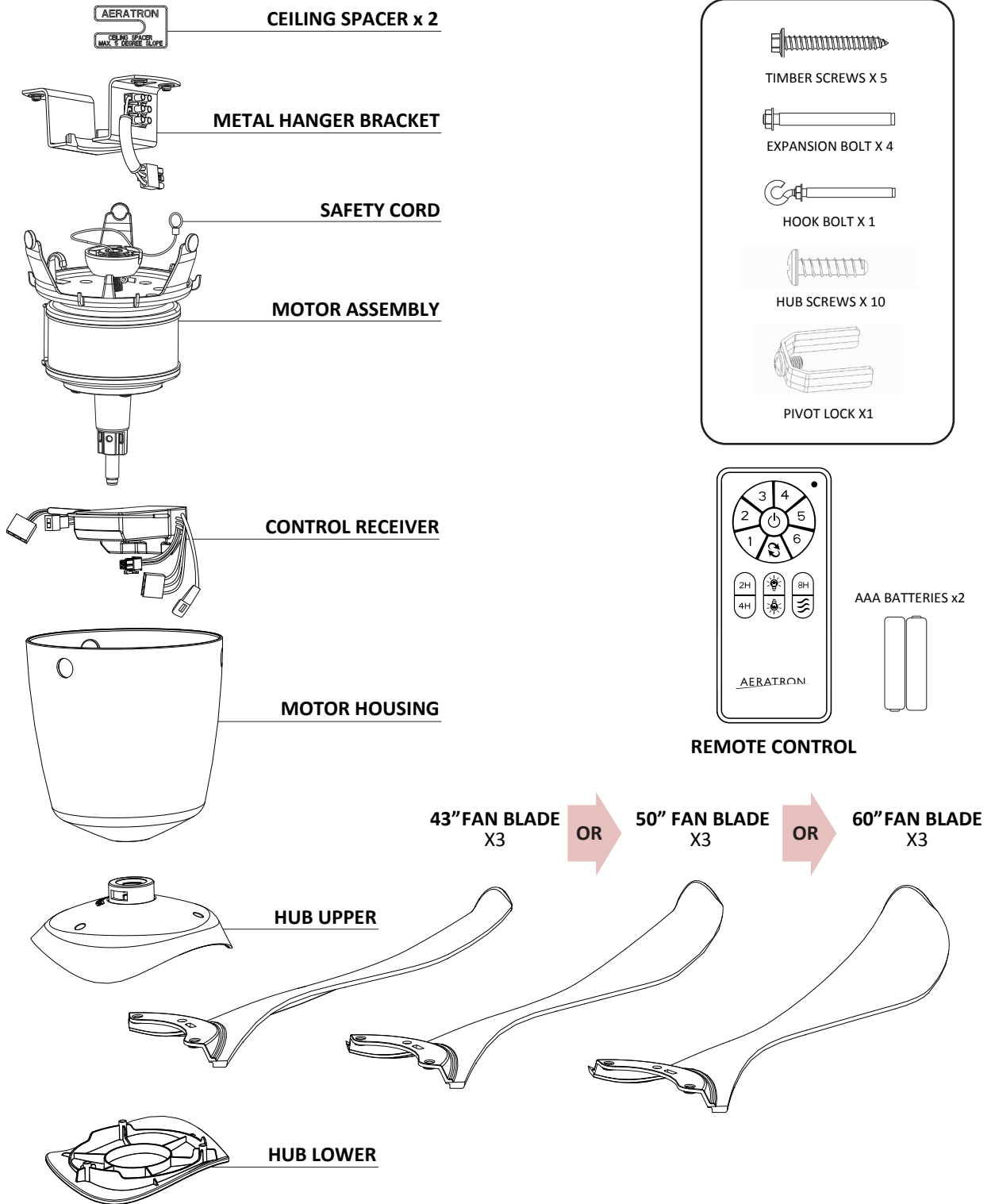
Important Information	1
Contents	2
Unpacking your fan	3
Installing your Fan	4
STEP1 Mounting the Hanger Bracket to Ceiling.....	4
STEP 2 Connecting Mains Power to Terminal Block.....	4
STEP 3 Inserting Fan Motor into Hanger Bracket.....	5
STEP 4 Installing Receiver into Hanger Bracket	5
STEP 5 Connecting Receiver	6
STEP 6 Pairing the Remote Control	7
STEP 7 Attaching the Fan Motor Housing	8
STEP 8 Assembling the Fan Blades.....	8,9
STEP 9 Attaching the Fan Blades	9
Option A - LED Light Kit	10
Option B - Ceiling Extension Kit.....	10
Option C - Raked Ceiling Kit.....	11
Technical Specification	12
Care and Cleaning	13
Troubleshooting	13
If the fan is noisy.....	13
If the fan rotates but does not create much airflow.....	13
General Information.....	14
Normal Wear and Tear	14
Warranty details.....	15

IMPORTANT

For any problems found during fan installation please contact the national distributor/retailer and ask for assistance before leaving the site.

Unpacking your fan

Unpack your fan and **examine all parts**, you should have the following:



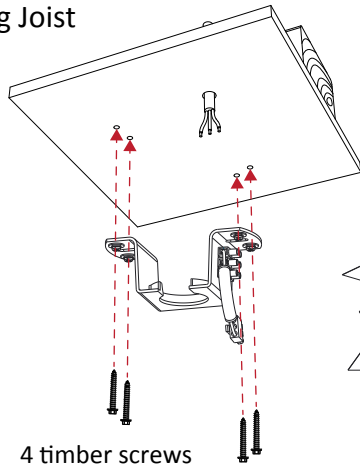
NOTE: Wall control / automation control & wifi module components are not included; please contact your local fan supplier for more information.

STEP 1 Mounting Metal Hanger Bracket to Ceiling

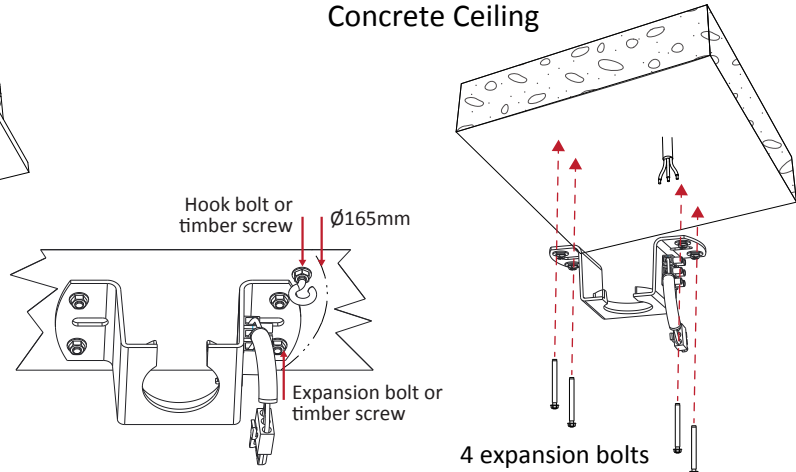


Before commencing installation, turn off electricity supply at the main power box. Disconnect power by removing fuse or turning off circuit breaker.

OPTION A: Ceiling Joist



OPTION B: Concrete Ceiling

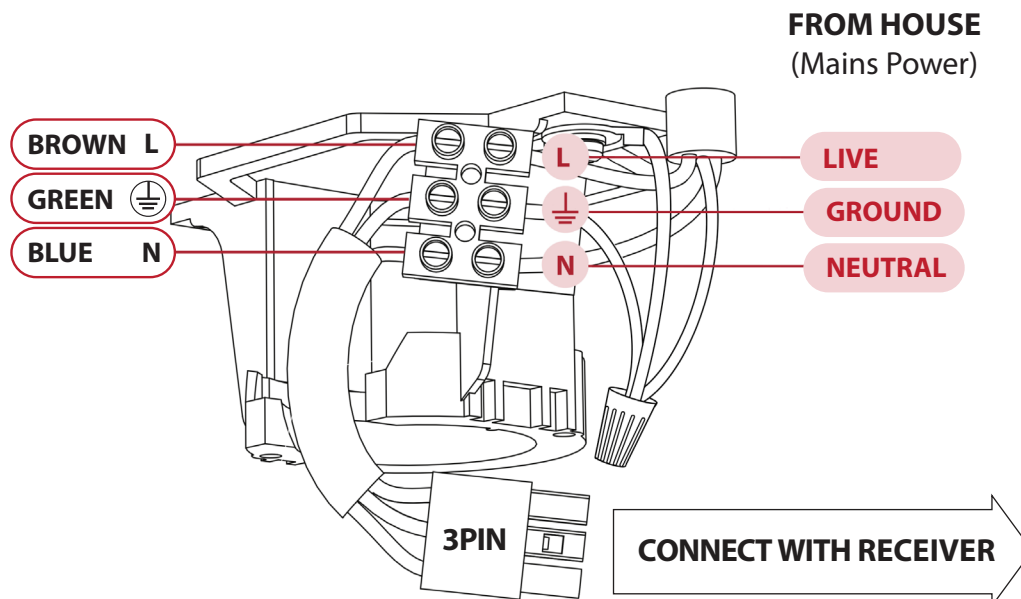


Install hanger bracket to ceiling joist or concrete ceiling using a minimum of (4) bolts/ screws as provided. Ensure ceiling joists are sound and of adequate size and strength to support a 32Kg (70lbs) load. If a timber frame is to be added it must be securely nailed or screwed between two beams. Mount the hook bolt / timber screws for the safety cable within the motor housing opening, approx Ø165mm from the centre of the hanger bracket.

WARNING: MOUNT ONLY TO AN OUTLET BOX MARKED ACCEPTABLE FOR FAN SUPPORT.

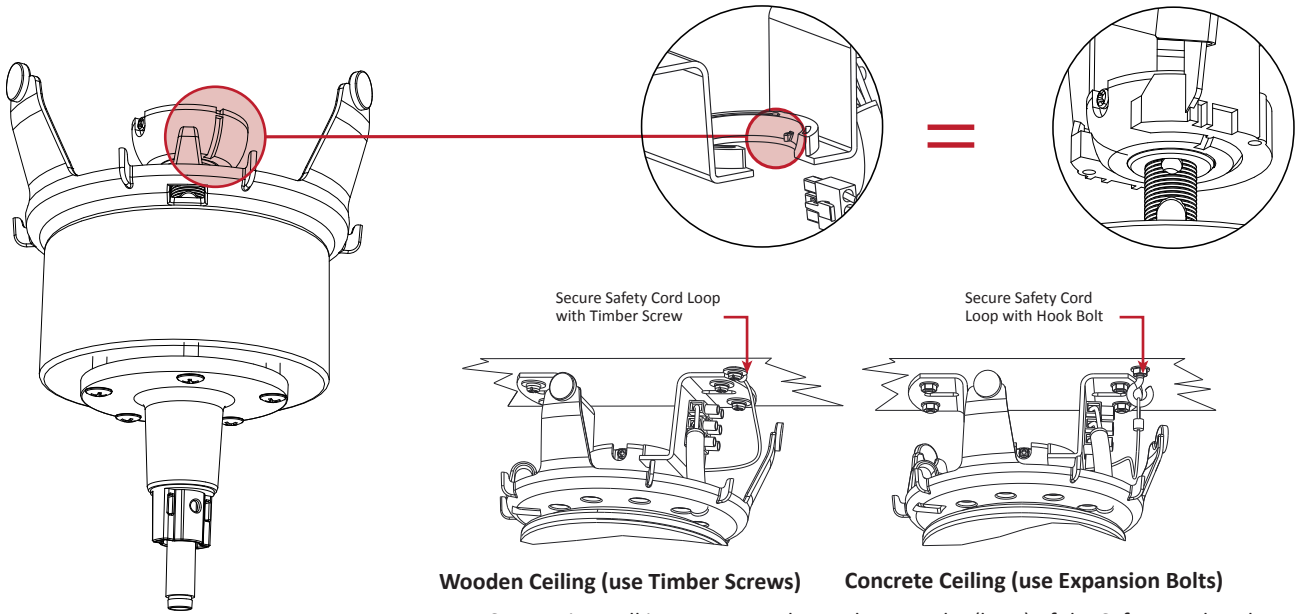
This fan is to be installed so that the blades are more than 2.3m above the floor

STEP 2 Connecting Mains Power to Terminal Block



STEP 3

Inserting Fan Motor into Hanger Bracket and Secure Safety Cord



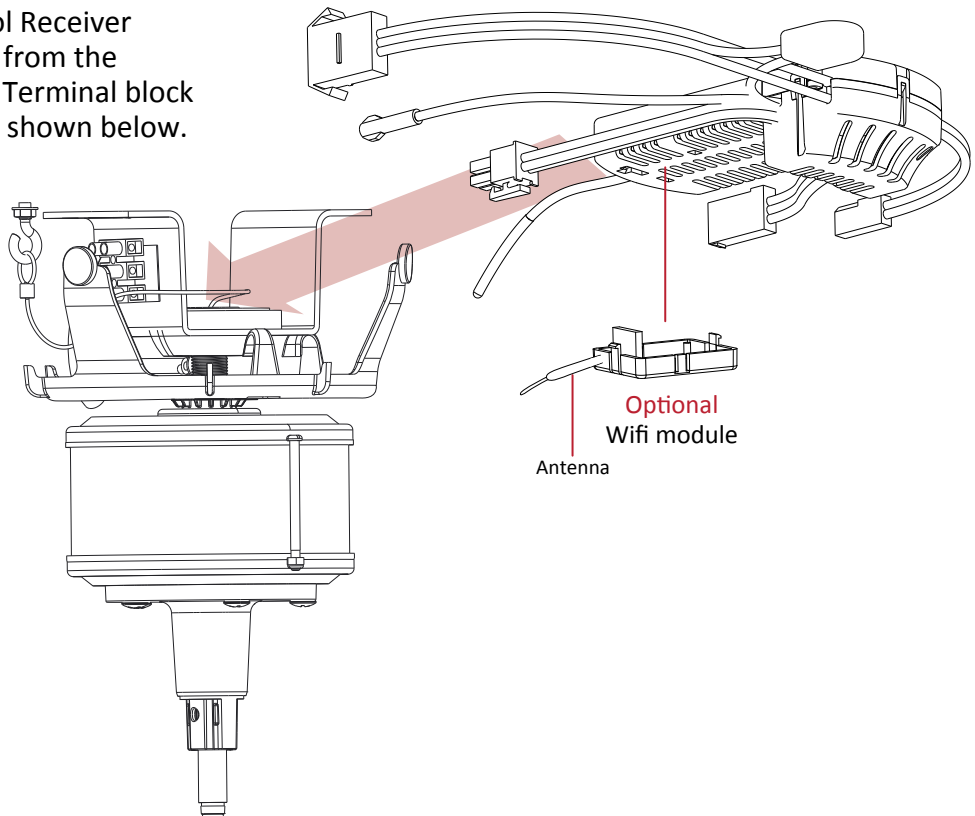
Wooden Ceiling (use Timber Screws) **Concrete Ceiling (use Expansion Bolts)**

Locate Suspension Ball in Hanger Bracket and secure the (loop) of the Safety cord to the hook expansion bolt or secure the Safety cord loop to the Ceiling with the Timber Screw. Ensure the safety cord is not stretched otherwise it will hinder the receiver sliding through the hanger bracket.

STEP 4

Installing Receiver into Hanger Bracket

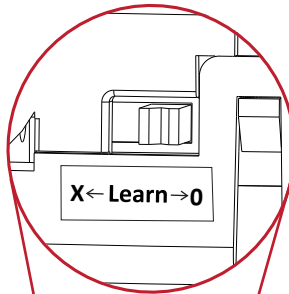
Slide Remote Control Receiver into Hanger Bracket from the opposite side of the Terminal block in the orientation as shown below.



STEP 5 Connecting the Receiver

Learn Switch

Switch to "O" to pair receiver with the Remote control and Switch to "X" to lock the pairing code with the Remote control



2PIN LED driver connection
(optional for LED light)

3PIN

3PIN
Mains Power

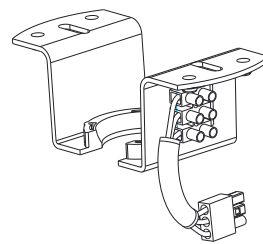
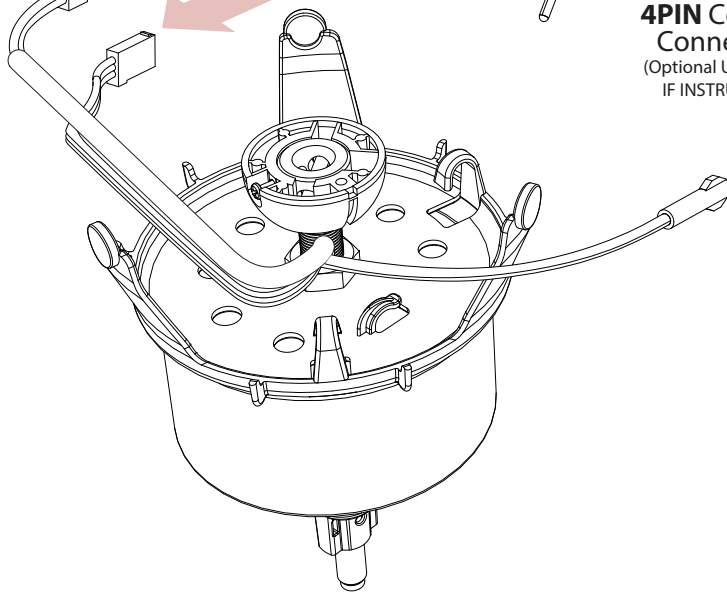
3PIN
Receiver
to Motor

Aerial

4PIN Comms
Connector
(Optional USE ONLY
IF INSTRUCTED)

Earth Cable

3PIN
Receiver to
Hanger bracket



1. Connect the **3PIN & Earth cable** connector between DC Motor and Receiver.
2. Connect the **3PIN** connector (Mains Power) between Hanger Bracket and Receiver.

STEP 6 Pairing the Remote Control



The remote control is pre-programmed
No pairing with the receiver required

Pairing a Single Fan per remote control: LEARN MODE

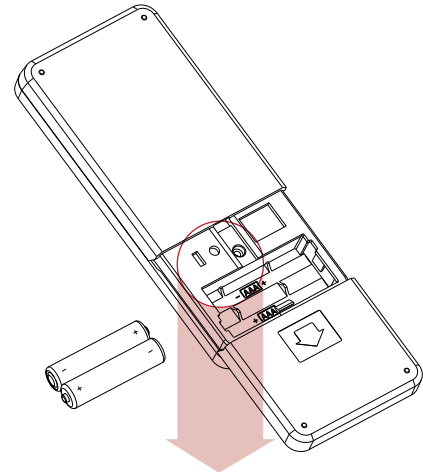
NOTE: Blades must be attached prior to testing the fan

1. **On Receiver:** Verify that the “Learn” switch is in the “O” position
2. Slide battery cover to unlock - Locate the **LEARN BUTTON** & insert batteries.
3. Switch on the main power to activate the receiver, indicated by one beep. (Energise one fan receiver at a time).
4. **Within 60 seconds** after the power is turned on (one beep), **press and hold the LEARN button** on the Remote Control (min. 3 secs.) until Fan Receiver issues three ‘beeps’ which indicates successful pairing.
5. **On Receiver:** switch the “Learn” switch to “X” (this will lock the pairing code with the remote)
6. Finish **STEP 7, 8 & 9** and press **ON/SPEED** button to test fan functions.
7. To re-pair, repeat steps 3 to 5

NOTE: Power must be off for 10 seconds min. before repairing.

The Remote Control and Fan Receiver will memorise the pairing code for future use even if mains power is switched off.

LIGHT SWITCH: Select ON/OFF or DIMMING for the light function.
(Light will maintain last setting if turned off)

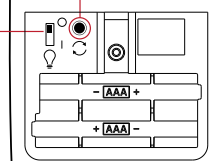


LIGHT SWITCH
O LIGHT DIMMING



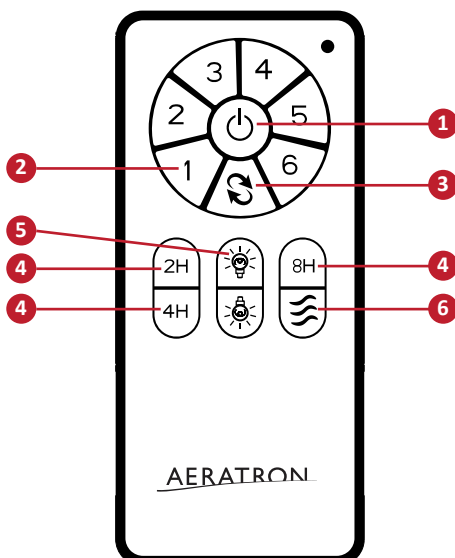
| LIGHT ON/OFF

'LEARN' BUTTON



Pairing multiple fans per remote control.

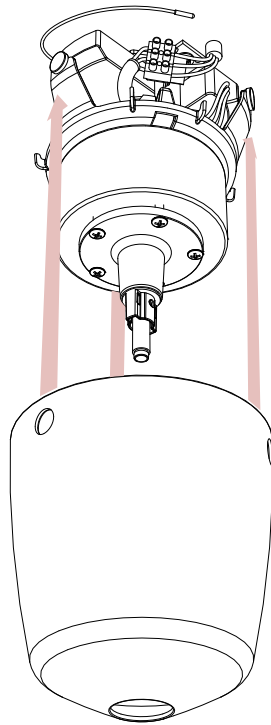
One remote control can control up to 8 fans (within a 7m (23”) radius). On ALL receivers verify that the “Learn” switch is in the “O” position. Switch on the mains power to activate ALL receivers at the same time, indicated by one ‘beep’. Within 60 seconds, press and hold the **LEARN** button on the remote control (min. 3 seconds) until fan receiver issues three ‘beeps’.



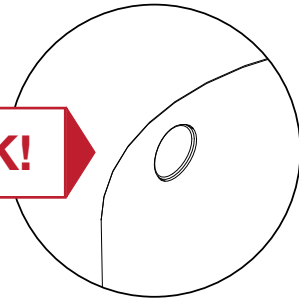
Controlling the Fan

1. Fan OFF
2. Fan ON & Speed 1-6
3. Forward / Reverse
Use Forward mode (counterclockwise) for cooling
Use Reverse mode (clockwise) to circulate warm air
4. Timer 2, 4 & 8hrs
5. **Light ON/OFF**
To DIM, press and HOLD light button to cycle from bright to dark.
(**LIGHT SWITCH** at DIMMING position)
6. Breeze/Cycle through speeds randomly

STEP 7 Attaching the Fan Motor Housing



CLICK!

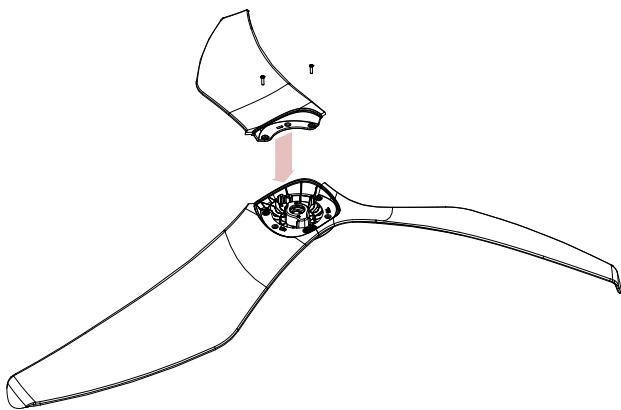


Align the 3 tabs with the 3 holes on the Housing and move upwards. Push tabs inwards slightly before sliding upwards until you hear a click as the tabs lock.

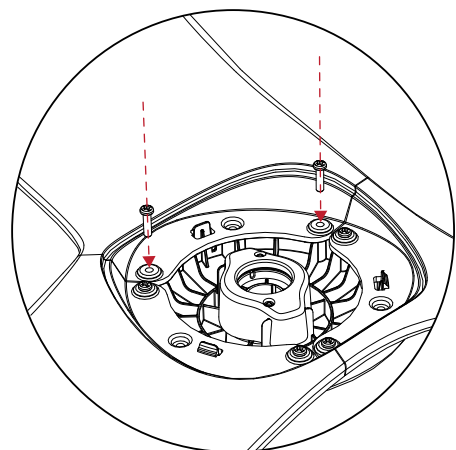
STEP 8 Assembling the Fan Blades



Constantly handle fan with care at all times to avoid damaging the fan/surface



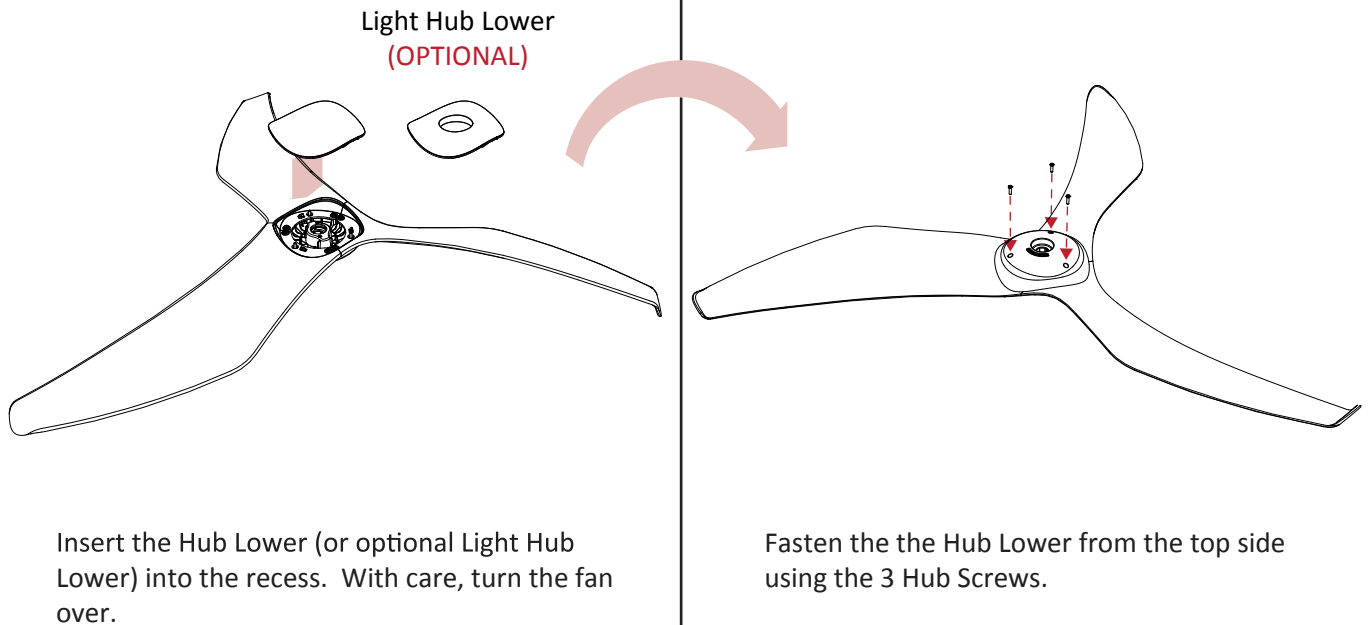
Place the Hub Upper onto a clean working area. Line-up the two mounting holes in the Fan Blade with the 2 holes in the Hub Upper.



Fix the 3 Fan Blades tight and firm using 2 Hub screws for each Blade.

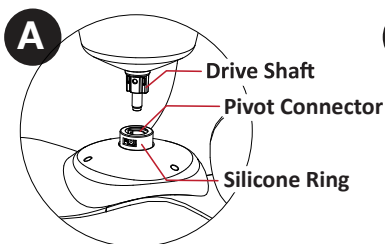
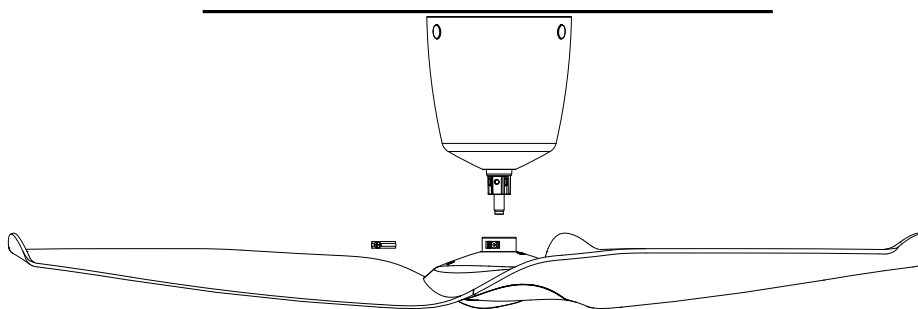
To ensure tight and secure blade assembly a power tool on low torque setting (4-6) can be used.

STEP 8 Assembling the Fan Blades cont.

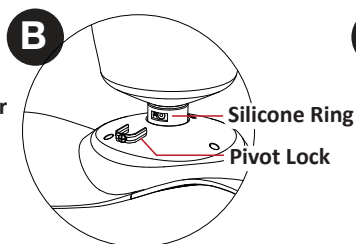


C D

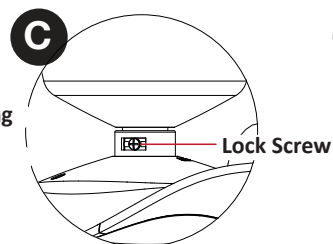
STEP 9 Attaching the Fan Blades



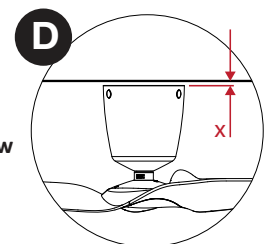
A Align Drive Shaft with Pivot Connector and slide fan blades onto Drive Shaft.



B Hold/push up Fan Blades and insert Pivot Lock, defelecting the silicon sideways. Push Pivot Lock into the shaft.



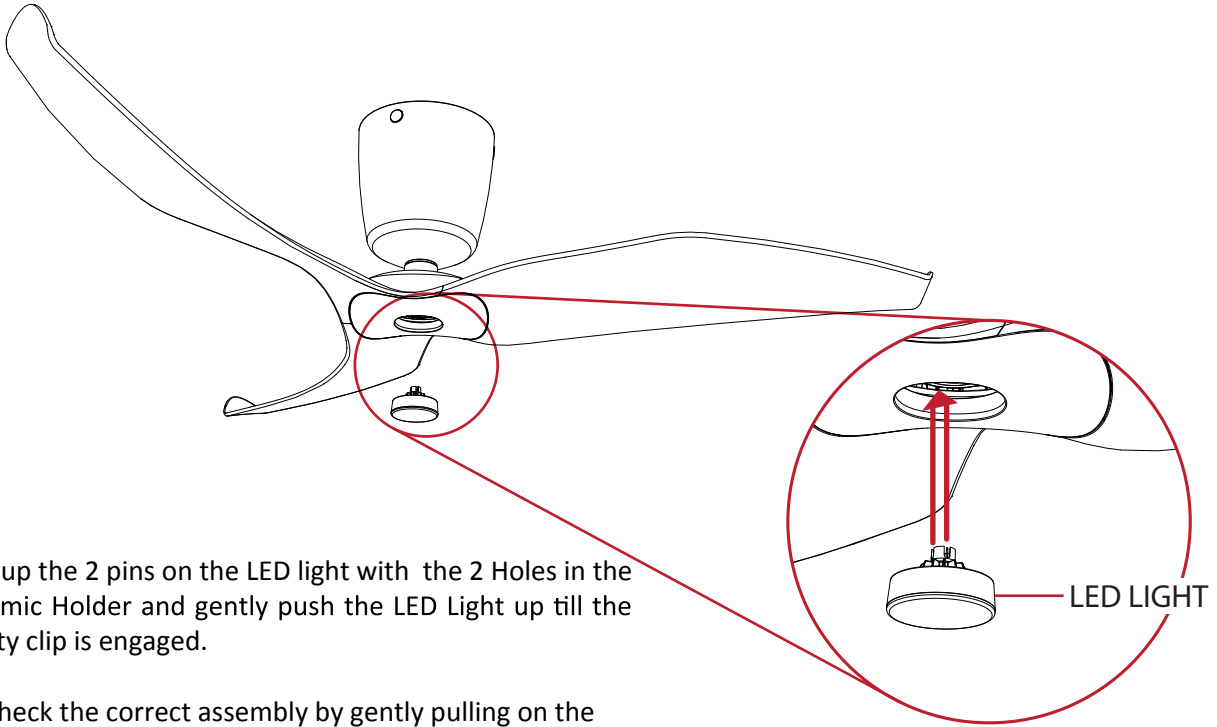
C Tighten Lock Screw securely using screw driver.
Do not use power tools.



D Ensure fan shaft is vertical. The fan will be vertical if the clearance 'x' between the ceiling and motor housing is equal all way round.



No liability is accepted if the Silicone ring is removed or the Pivot Lock is installed incorrectly/lock screw is not tightened.

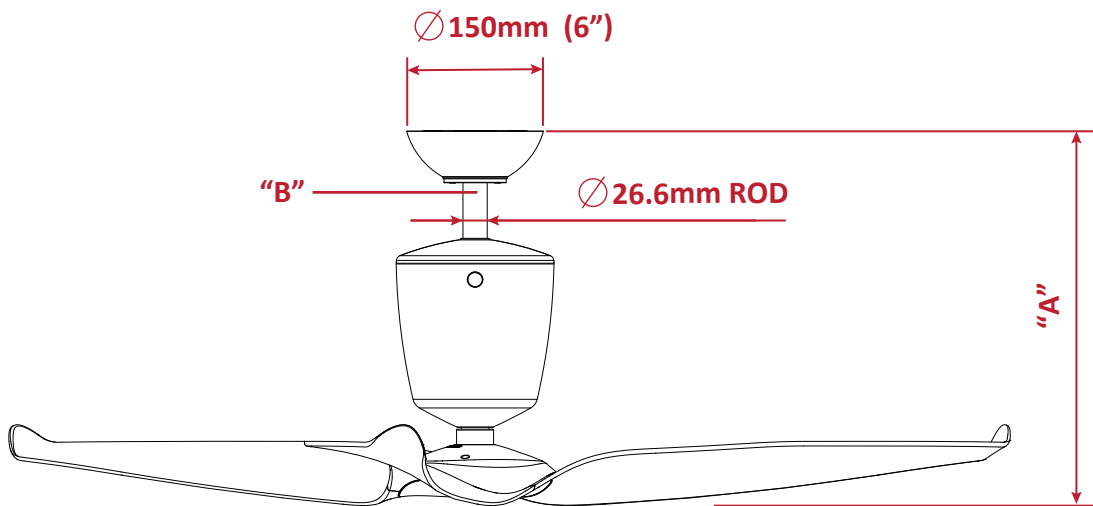
OPTION A**LED Light Kit**

Line up the 2 pins on the LED light with the 2 Holes in the Ceramic Holder and gently push the LED Light up till the Safety clip is engaged.

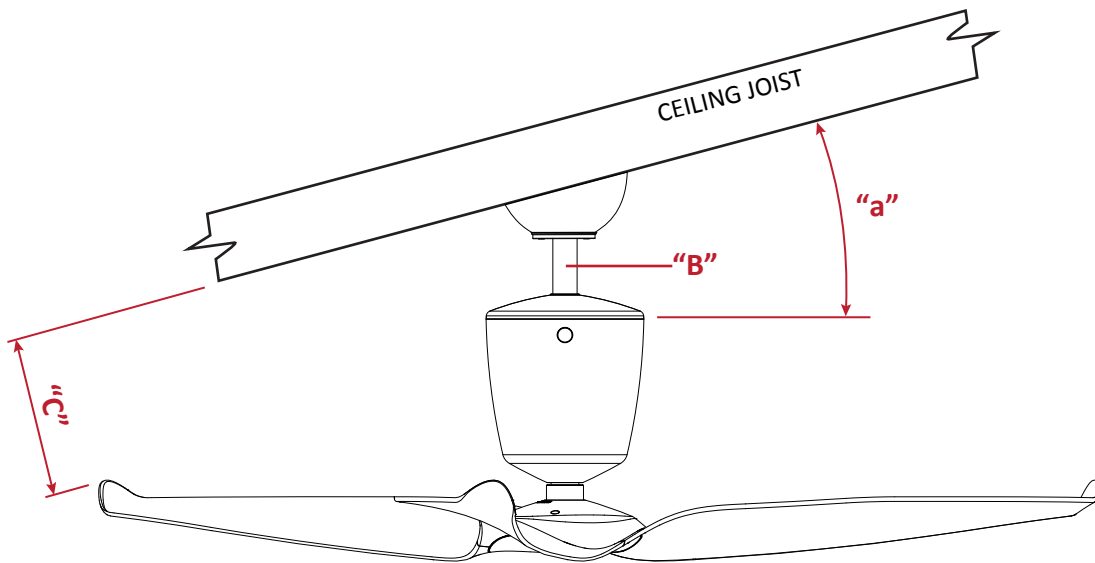
Re-check the correct assembly by gently pulling on the Light to make sure the LED is tight.

OPTION B**Ceiling Extension Kit**

Suitable for Raked Ceiling up to 17°

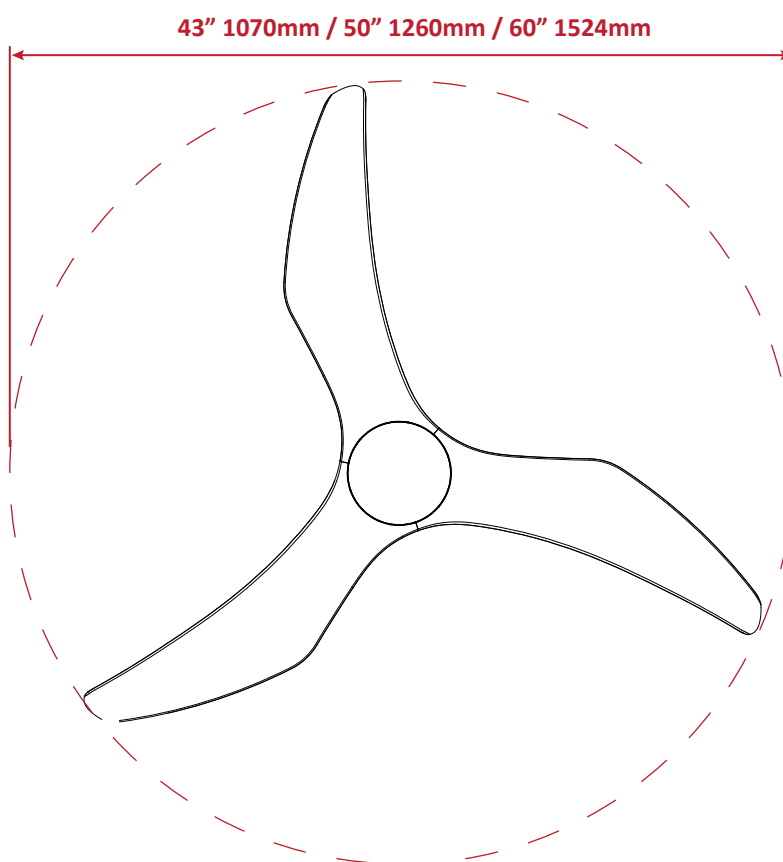
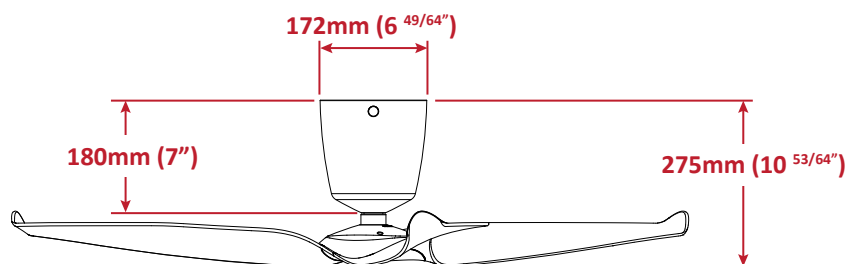


"A" Ceiling to Fan blade	"B" Extension Rod Length	Accessories Required
420mm (16 ¹⁷ / ₃₂ ")	115mm Rod (4 ¹⁷ / ₃₂ ")	Included
910mm (35 ⁵³ / ₆₄ ")	600mm Rod (23 ⁵ / ₈ ")	Not Included
1210mm (47 ⁴¹ / ₆₄ ")	900mm Rod (35 ⁷ / ₁₆ ")	Not Included

OPTION C**Raked Ceiling Kit**

"a" Angle	"C" Clearance	"B" Extension Rod Length	Accessories Required
15° - 17°	200mm min.	115mm Rod (4 ¹⁷ / ₃₂ ")	Included
17° - 33°	200mm min.	600mm Rod (23 ⁵ / ₈ ")	Not Included
33° - 40°	Decoration ring not fitted	900mm Rod (35 ⁷ / ₁₆ ")	Not Included

Technical Specifications



Dimensions for Model:

FR3-43" & FQ3-43"

FR3-50" & FQ3-50"

FR3-60"

Fan Weight:

FR3-43" = 4.7kg (10.4lbs)

FR3-50" = 5.1kg (11.2lbs)

FR3-60" = 5.3kg (11.7lbs)

FQ3-43" = 4.7kg (10.4lbs)

FQ3-50" = 4.9kg (10.8lbs)

Colour Options:

White/Silver/Black

Dark/Light wood-grain

Remote Control:

Hand held, RF

Standby power 0.49W

Options:

Wall switch control

Automation control

Wifi control module

Care and Cleaning

Regular cleaning of the Aeratron Ceiling fan blades and fan motor housing is the only maintenance needed. Due to the self-balancing design, a large build up of dust on blades may create an imbalance in extreme cases only, causing the blades to wobble during use. This is likely to be more apparent on fans with an extension rod. Regular cleaning of the blade is recommended to prevent dust from building up.

1. When cleaning your fan, only use a soft brush or lint free cloth to avoid scratching the finish. DO NOT use water when cleaning your ceiling fan. It could damage the motor or blades and/or create the possibility of electric shock.
2. When dusting the blades, they must be supported to prevent bending - no pressure should be applied to the blade pivot. After cleaning the blades, check to ensure that the Drive Shaft is vertical, otherwise the fan may wobble.
3. Occasionally, it may be necessary to re-tighten the fan blades/screws to prevent any clicking or humming sounds during operation. This is especially true in climates with broad temperature and humidity ranges.
4. If you experience any flaw in the operation of your fan, please check the points in the Trouble Shooting section below.

Troubleshooting



Except for items 1 to 3 below, the following require access to areas of the fan which **carry lethal voltage** and must be carried out by properly qualified personnel. ONLY points 1 to 3 below can be carried out by the user.

If the fan does not operate properly, or turns on or off at random.

1. It is normal that the fan is rotating backwards/forwards till finds the direction of rotation. Make sure that the blades are attached when testing the fan, the motor is NOT rotating without the blades attached
2. If applicable, change the batteries in the Remote Control (Handset).
3. Re-pair the remote using steps 3&4 (page 7)
4. **Multiple fans:** disconnect power to all fans, wait for a minimum of 10 seconds before switching power back on to all the fans (see page 7)
5. Disconnect and reconnect the 3-pin connector (receiver to motor) to make sure that the connectors are fully engaged (see page 6)
6. Check the main and branch circuit breakers and/or fuses.
7. Check the wire connections to the fan.
8. Other RF devices may obstruct the handset to receiver signal.

If the fan is noisy

9. Check to make sure that Suspension Ball is located in the slot correctly, and the one screw securing the suspension ball is tight (see page 5).
10. Check that Hanger Bracket is solidly mounted, no movement allowed (see page 4)
11. Check that the 2 Hub screws per fan blade are tight and firm (see page 8)
12. Excess wind can lift the fan blades and result in some noise.

If the fan rotates but does not create much airflow

13. The room may contain items which obstruct the air-flow.
14. The fan may be too small for the size of the room.
15. The fan might be in reverse function (counter clockwise rotation)

Note: In some areas, signals are sent through the power lines by the electricity supplier for the control of off peak hot water, street lights and so on. These signals may cause an intermittent humming in the ceiling fan. Filters may be available in your country at customer costs. It is not a ceiling fan fault.

General Information

1. All electrical motors, including fan motors generate some noise, and may feel hot to the touch. This is NOT a fault.
2. Ceiling fans tend to move during operation due to the fact that they are not rigidly mounted. (Rigid mountings can generate excessive vibration and stress on the mountings).
Movement of a couple of centimetres is quite OK and does not suggest that the fan will fall down. The Aeratron fan is mounted securely on a metal Hanger Bracket with rubber cushioning and a ball joint to allow free movement. Please note that due to manufacturing variations not all Aeratron ceiling fans are exactly the same - some may move more than others. Note: Excessive wobble can be caused by the Drive Shaft not being positioned vertically. This can be easily rectified by adjusting the position of the Fan Motor Assembly in the Hanger Bracket (see step 9 (D) page 9).
3. Ceiling fans are an environmentally smart choice to help cool you in your home. They work by creating air flow which causes a cooling sensation on the skin. Ceiling fans do not cool down air, so for energy wise use, they should be switched off when leaving a room. The effectiveness of ceiling fans is also dependent on the humidity in the air - they are more effective in humid environments, and less so in dry ones.
4. During winter, a reverse (counter clockwise) turning fan helps to reduce heating costs. Warm air rises to the ceiling, where it cannot be felt by the occupants of a room, especially in areas with high ceilings. The fan assists to distribute warm air more evenly in the room allowing to set the thermostat several degrees lower.

Normal Wear and Tear.

Threaded components working slightly loose or parts even slightly damaged or bent during vigorous cleaning or bumping can cause wobble and noise. This is not covered under warranty, but care during maintenance and cleaning should prevent this from occurring.

Warranty Details

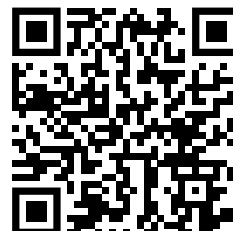


Khind Systems (Singapore) Pte Ltd
No.5 Penjuru Close #03-00 Singapore 608600
Tel: (65) 6862 3777 | E: relite.sales@khind.com
www.khind-systems.com | www.relitespecialty.com

PRODUCT WARRANTY REGISTRATION

You can now register the product warranty online.

Online Warranty Registration
<http://relitespecialty.com/index.php/warranty-registration>
or scan the QR code to enter



IMPORTANT

Please note that you MUST present the sales receipt for after-sales service.

Terms & Conditions

1. This guarantee is valid for 12 months from date of original purchase.
2. Please register with us within 10 days from date of purchase.
3. This guarantee does not cover damage resulting from normal wear and tear.
4. The guarantee will not apply if the defect has been caused either by faulty/improper installation, operation from voltage and frequency and/or in environment outside that of which the product was designed. A service of \$35.00 will be levied, excluding parts.
5. This guarantee does not cover defects arising from abuse, misuse, neglect, accident, flood, acts of God or use in violation of instruction.
6. Installation, wiring by dealer/contractors will not be covered under this guarantee.
7. The defective parts should be returned carriage paid to KHIND SYSTEMS (S) PTE LTD for repair. A transportation fee of \$30.00 is chargeable for on-site servicing.
8. That our decision on all questions relating to complaints as to defects either of workmanship or of materials shall be conclusive and the buyer agrees to abide by such a decision. Any equipment or defective part which has been replaced shall become our property. In no event shall Khind be liable for any punitive special, indirect or consequential damages resulting from purchase or use of the product.

REMINDER:

It is recommended to conduct regular examination of the fan suspension system or at least once every 2 years.

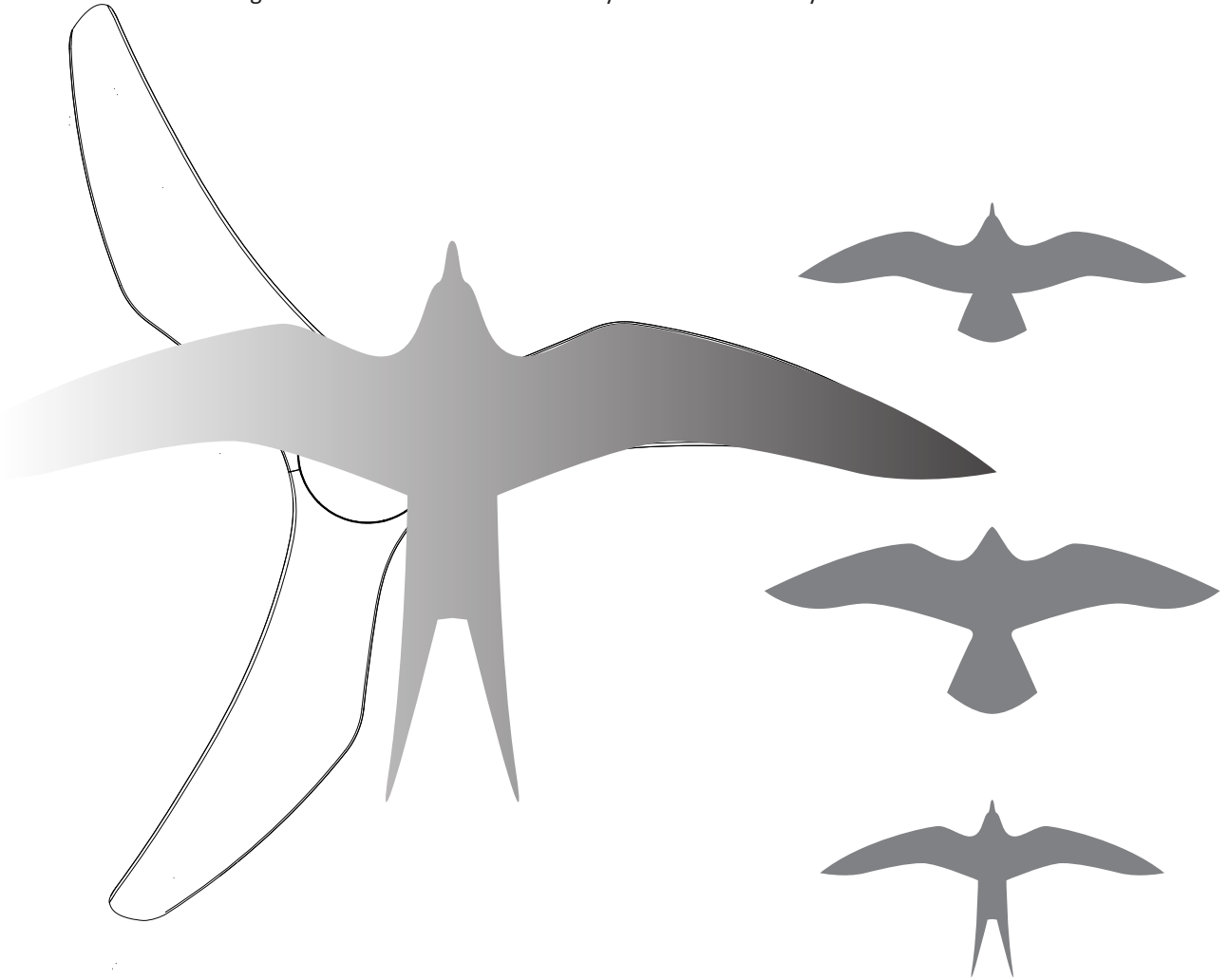
IMPORTANT

For any problems found during fan installation please contact the national distributor/retailer and ask for assistance before leaving the site.

INSPIRED BY THE EXPERTS

If this shape looks familiar - that's because it is. Your Aeratron fan was painstakingly developed to mimic nature's true masters of controlling air. It's a proven design that we are confident will work efficiently in your home for years to come.

The **FR**igatebird has optimised wings with the largest wingspan in relation to its body of any bird species in the world, so the frigatebird is naturally an adept pilot. Frigate birds have been known to stay in the air for nearly a whole week.



Thank you. Your Aeratron team.

AERATRON

Safety Cord Edition 2022/03

Marketed by:
Khind Systems (Singapore) Pte Ltd
No.5 Penjuru Close #03-00
Singapore 608600
Tel: (65) 6862 3777
Email: relite.sales@khind.com